


P.A. – S.p.A. – EQUIPAGGIAMENTI TECNICI DEL LAVAGGIO

VIA MILANO, 13 – CASELLA POSTALE 115 – 42048 RUBIERA (REGGIO EMILIA) – ITALY
 Tel. +39 0522 623611 – Fax. +39 0522 629600 – R.E.A. RE 156319 – R.I. RE11535 – Mecc. RE 013446
 C.F. e P. IVA 01035950359 – Cap. Soc. i.v. € 750.000,00 – Codice Identificativo C.E.E. IT 01035950359
 ART. 2497 – BIS C.C. DIREZIONE E COORDINAMENTO BENETTI srl R.I. TRIB. DI RE 01480690351
 Web: <http://www.pa-etl.it> – E-mail: info@pa-etl.it



VB 75 - Unloader Valve (discharging)

Technical manual: E 208

Pressure regulating unloader valve complete with metallic intake manifold.
 At gun shut off, the water flow is bypassed at reduced pressure.

DN10


- **60.0765.00** VB75 distance **x:5 y:57**
- **60.0770.00** VB75 distance **x:4.5 y:64**
- **60.0930.00** VB75 distance **x:18 y:63**

- Direct fitting to the pump by means of two hollow screws
- Sturdy steel and brass construction
- Adjustable locknut to control the max pressure
- Possibility to fit a venturi injector, on delivery, for chemicals.
- Plastic knob, upon request.

Technical specifications

Part Number	Rated pressure	Max. flow rate: 30 l/min.		Max temperature: 90°C (1)		Fittings	Weight
	bar - MPa	Permissible pressure	Minimum adjustable pressure	(2)Trapped pressure at circuit closure	(3)Pressure drop to reset bypass		
	bar - MPa	bar - MPa	bar - MPa	%	%		g
60.0765.00	220 - 22	250 - 25	22 – 2.2	13	32	G3/8-G1/2	900
60.0770.00	220 - 22	250 - 25	22 – 2.2	13	32	G3/8-G1/2	840
60.0930.00	220 - 22	250 - 25	22 – 2.2	13	32	G3/8-G1/2	900

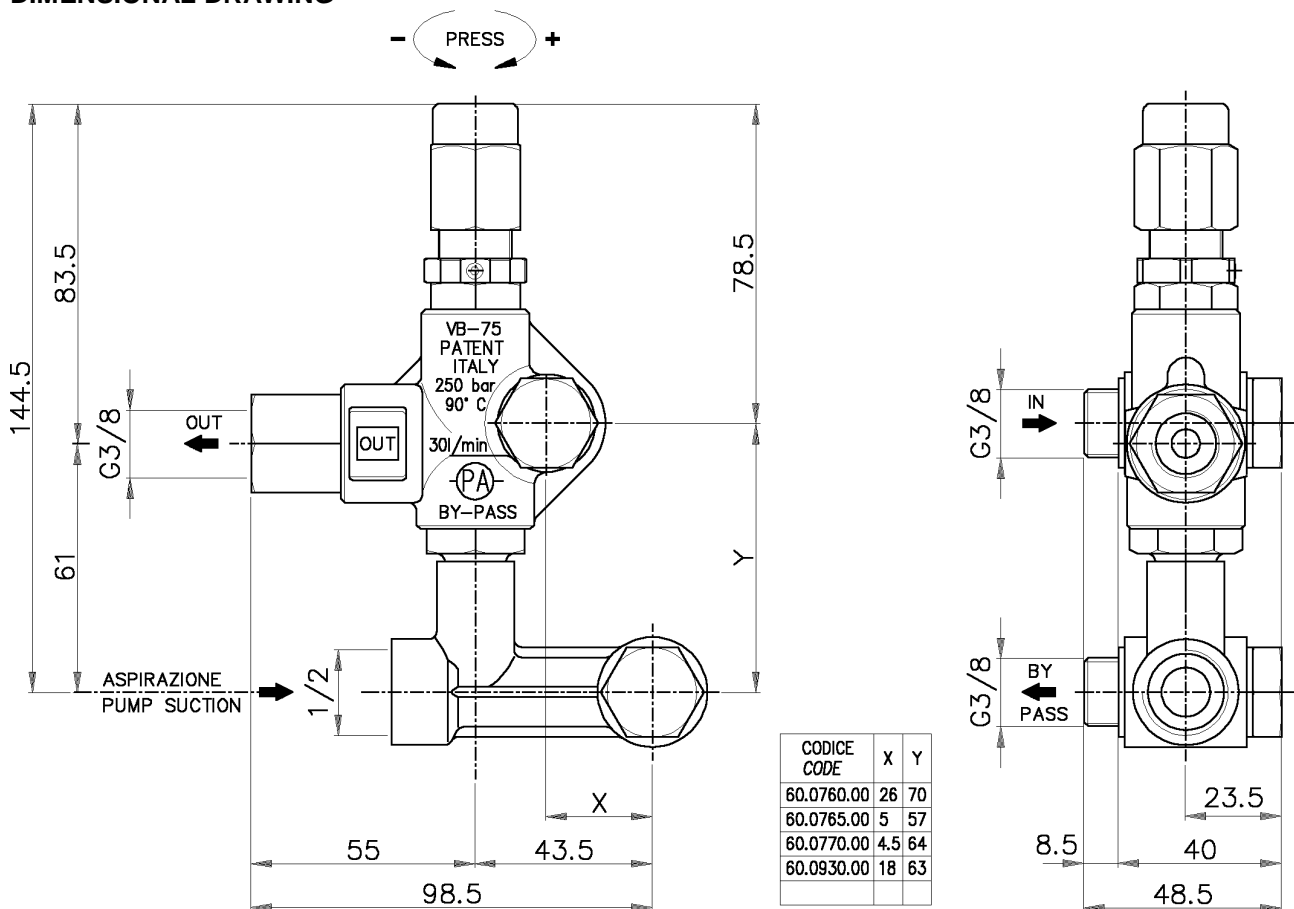
(1)The valve has been designed for a continuous use at a water temperature of 60°C. It can resist for short periods at a maximum temperature of 90°C.

(2) This is the maximum pressure increase implemented in the circuit for the intervention of the valve and to bring all the fluid in bypass (percentage figures of the pressure set up)

(3) This is the pressure reduction necessary in comparison to the set up, in order that the valve brings back pressure in the circuit. (percentage figures of the pressure set up)

Instruction manual, maintenance, installation, spare parts.	n. 12.9208.00
For a correct utilization, follow the directions of this manual	
Re-print them on the Use and Maintenance booklet of the machine.	

DIMENSIONAL DRAWING



INSTRUCTIONS

SELECTION

This product is to be utilized with clean fresh water, even slightly additivated with normal detergents. For use involving different or corrosive liquids, contact the PA Technical department. Appropriate filtration should be installed when using unclean liquids. Choose the valve in line with the data of nominal running (system rated pressure, max flow and max temperature). **In any case, the pressure of the machine should not exceed the permissible pressure rate imprinted on the valve**

INSTALLATION

This accessory, on a system that produces hot water, must be fitted in **front of the heat generator**. This product is bound to be incorporated on a finished machine. On a system that generates hot water, anticipate the fitting of accessories that limit the accidental increase of fluid temperature.

Always install a safety valve that protects the pressurized inlet channel.

Choose a correct nozzle size, which allows a regular discharge on bypass, at least 5% of the total flow of the system in order to achieve a constant pressure value and avoid troublesome pressure spikes at closure. If the nozzle wears out, the pressure drops. On installation of a new nozzle, re-adjust the system to the original pressure setting

OPERATIONS

The valve regulates the max pressure of the system through a piston, which acts on a ball correctly positioned, that closes the bypass opening. A check valve cuts out the delivery section, the pressure of which controls the drive of the piston. Each regulation should be made when the system is operational and the nozzle open.

ATTENTION: The nut POS 18 must never be removed otherwise a mechanical safety feature that limits the max pressure will lack, avoiding serious damage to persons and machine.

DISCHARGE SYSTEM AND WATER ADDUCTION

The bypass line should be returned into a tank with deflectors. By using a direct pump recycle, with elevated pressure intake, it is necessary to install a pressure reducer in order to have an even flow supply and to protect the circuit intake. When the system is opened and closed frequently, it is recommended to install a thermal protector valve (VT3 or VT6) in order to eliminate excessive temperature build-up. It is possible to connect the feed directly to the manifold up to a flow rate of 22 l/min. With intake port G 1/2" and 15 l/min and intake port G 3/8.

PROBLEMS AND SOLUTIONS

PROBLEMS	PROBABLE CAUSES	SOLUTIONS
Frequent unloader recycles	Damaged check valve O ring Leaking connections Restricted bypass	Replace Check and renew Clean or adapt
Unloader does not reach pressure	Unloader not properly sized Piston O rings worn out Material matter between seat and shutter Worn out nozzle	Change spring or type of valve Replace Clean the seat Replace
Pressure peaks	There is not a min of 5% of total flow in bypass Excessive flow in bypass Spring totally compressed	Reset Change type of valve or adjust passages Loosen knob and change nozzle
Unloader does not bypass at low pressure	Jammed check valve Check valve O ring worn out Material matter on check valve	Clean or replace Replace Clean

REGULATIONS : *see norm manual*

For a correct utilization, follow the directions described in this manual and re-print them on the Use and maintenance manual of the machine.

Make sure that you are given **the Original Conformity Declaration** for the accessory chosen. The present manual is valid for all unloader valves named **VB 75**.

MAINTENANCE

Maintenance has to be carried out by **Specialized Technicians**.

STANDARD: every 400 working hours (circa 10,000 cycles), check and lubricate the seals with water resistant grease.

SPECIAL: every 800 working hours(circa 20,000 cycles), control the wear of the seals and internal parts and if necessary, replace with original PA parts taking care during installation and to lubricate with water resistant grease.

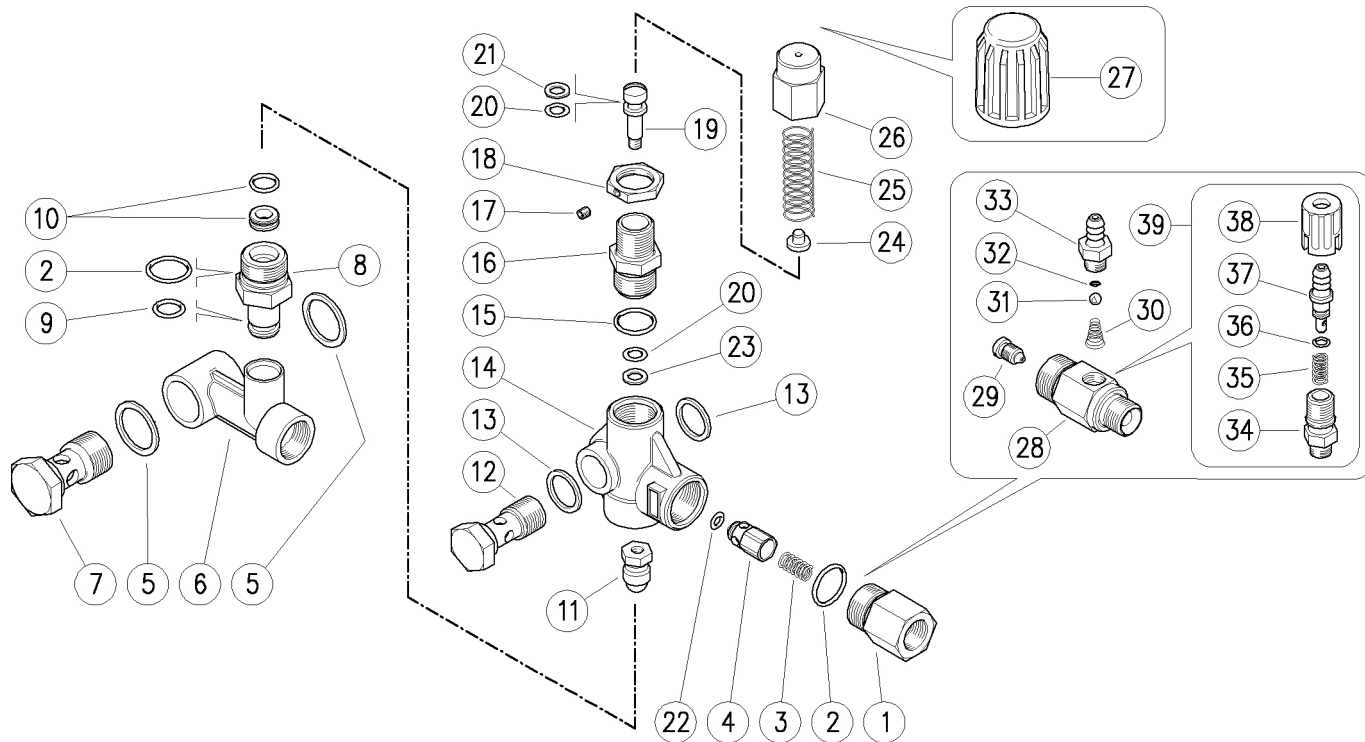
ATTENTION: reassemble the valve in the correct manner paying special attention to the Nut (pos 19) which must always be in place.

The manufacturer is not to be considered responsible for damage as a result from incorrect fitting and maintenance

Technical data, descriptions and illustrations are indicative and liable to modification without notice

60.0765.00 VB75 unload. 4,5/56
60.0768.10 VB75 valve x:4,5 y:63 O-rings viton

60.0770.00 VB75 unload. X:4,5 Y:64
60.0930.00 VB75 unload. X:18 Y:62-73



Pos.	P/N	Description	Q.ty	K1	K2	K3	K4	Pos.	P/N	Description	Q.ty	K1	K2	K3	K4
1	60.0058.31	Delivery coupl., 3/8F Bsp brass	1				5	19	60.0704.99	Piston, M6 Sst.+or+p/back N	1				10
2	10.3070.02	O-ring, 1,78x18,77 mm Ni 85	2	•	•		10	19	60.0704.92	Piston, M6 Sst.+or+p/back V. (1)	1				10
2	10.3070.10	O-ring, 1,78x18,77 mm Vi 70 (1)	2				10	20	10.3169.00	O-ring, 2,62x6,02 mm	2	•	•		10
3	60.0053.51	Spring, 0,7x9x20 mm Sst.	1				10	20	10.3169.10	O-ring, 2,62x6,02 mm viton (1)	1				10
4	60.0052.99	Shutter pin, brass+o-ring 3x6 mm	1				10	21	10.4023.00	Back-up ring, opn. 6,4x11x1,2 mm	1	•	•		10
4	60.0052.91	Shutter pin, brass+o-ring 3x6 mm V (1)	1				10	22	10.3213.00	O-ring, 3x6 mm	1	•	•		10
5	14.4101.00	Sealing washer, 1/2 Bsp	2				10	22	10.3213.10	O-ring 3 x 6 mm Viton (1)	1				10
6	60.0766.35	Valve manifold, 1/2F Bsp brass (2)	1				3	23	10.4024.00	Back-up ring, 7x11,6x1,2 mm	1	•	•		25
6	60.0783.35	Valve manifold, 1/2F Bsp brass (3)	1				5	24	60.0310.61	Spring guide, z.pl.	1				10
6	60.0771.35	Valve manifold, 1/2F Bsp brass (1,4)	1				3	25	60.0313.61	Spring, 3x12,3x41 mm	1				10
7	60.1008.31	Pierced crew, 1/2M Bsp 41,5mm brs.	1				10	26	60.0304.31	Valve regulating knob, brass	1				5
8	60.0782.31	Seat holder, 15x16 mm brass	1				10	27	60.0315.84	Knob VB 7 / 130,plast, hexag.22 **	1				10
8	60.0931.31	Seat holder, 15 mm brass (3)	1				10	28	21.0261.31	Inject.hous.,M22x1,5M-3/8M Bsp brass	1				3
9	10.3109.96	O-ring, 2,4x10,3 mm Vi 70	1				10	29	21.0213.51	Nozzle, M8x1 - 2,1 mm Sst.	1				10
10	60.0259.20	Seat, 8mm + O-ring, 1,78mm	1	•	•		10	30	21.0160.51	Tapered spring, Sst. -inject.	1				10
11	60.1708.21	Rest, M5 Sst.+ball, 11/32" Sst.	1	•	•		5	31	14.7420.01	Ball, 7/32" Sst. Aisi 316	1				10
12	60.1007.31	Pierced crew, 3/8M Bsp 41,5mm brs.	1				10	32	10.3049.00	O-ring, 1,78x5,28 mm Vi 70	1				10
13	14.4100.00	Sealing washer, 3/8 Bsp	2				10	33	21.0003.31	Hose barb, 8 - M12x1 mm brass	1				10
14	60.0784.35	Valve housing -VB75, brass	1				5	34	21.0173.31	Coupling, M12x1-1/4M Bsp brass	1				10
15	10.3068.01	O-ring, 1,78x17,17 mm Ni 85	1	•	•		10	35	21.0158.51	Spring, 0,8x7x15 mm Sst.	1				10
15	10.3068.10	O-ring, 1,78x17,17 mm Vi 70 (1)	1				10	36	10.3043.01	O-ring, 1,78x4,48 mm Vi 70	1				10
16	60.0708.31	Piston holder, brass	1				10	37	21.0155.99	Hose barb, d.8 mm brass+o-ring	1				3
17	16.2100.00	Set screw, DIN914 M4x4 mm	1				10	38	21.0171.84	Inject.knob, 1/4F Bsp black	1				10
18	60.1018.31	Ring nut, M18x1 brass	1				10	39	21.0100.00	Regul.+h.barb 8-M12mm brs. inje.	1				50

** On request

Kit	P/N	Description	Q.ty
K1	60.0722.24	Spares kit -VB7, 9x5pcs.	1
K2	60.0719.24	VB7/3 valve, repair kit pcs.9x1	1

(1) 60.0768.10 (2) 60.0765.00 (3) 60.0930.00 (4) 60.0770.00